



**N & R**  
Development  
Division

**Italy's references**  
Via Dune, 15 - 30016 Jesolo (VENICE)  
Friuli V.G.: Authorized Service Centers  
Liguria: Authorized Service Centers  
VAT Number IT00419780283

**USA** (Florida)  
2 S Biscayne Boulevard, Suite 1880,  
MIAMI, FL 33131  
[Italy-America Chamber of Commerce  
Southeast]



**Business  
management  
solutions**

Head office: phone +39 041 8770868  
<http://www.arpro-solutions.com> - [sales@arpro-solutions.com](mailto:sales@arpro-solutions.com)  
<http://www.arpro.it> - [commerciale@arpro.it](mailto:commerciale@arpro.it)

## @/Arpro “Management Documental (crm)”

Venice Italy, 22<sup>nd</sup> July 2016

@/Arpro  
designed for  
platforms:



Integrative tool of the solution @/Arpro to managing external documents and connect them to the system.

Whatever document created by a program recognized and included in the Microsoft Windows® platform, can be plugged into the business management program at one of these existing resources:

- ✓ *Customers, suppliers, carriers, ...*
- ✓ *warehouse items, BOMs*
- ✓ *orders and quotes*
- ✓ *accounting documents*
- ✓ *technical and production documentation*

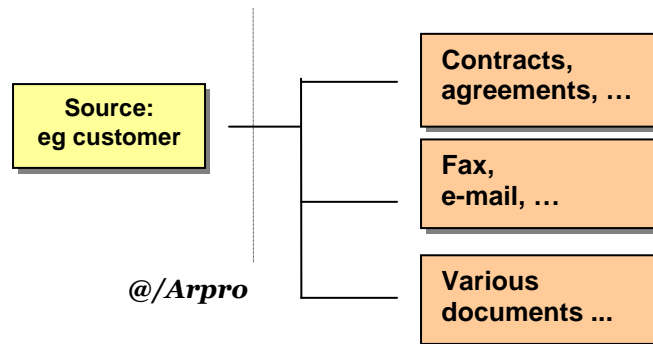


These resources in the attached documents management can be shared between users on the corporate network, opened directly with a preconfigured function in the system: in this case @/Arpro solve the problem of the path and the type of program to use!



[ Italian area ]  
With the  
contribution of:  
N&R – Venice  
N&R – Udine

Management Documental



Basically the program is a complete tool for the management of businesses needs, also from a documentary point of view.

Multiple documents can be linked to the resources available in the system, and can be eventually grouped each other for a fast searching or for organizing needs.

*Solutions greatly simplified for the business management of companies:*

**@/Arpro, ... Treasury, ... Analytical Accounting, ... Production, ... Job Orders, ...**



**N & R**  
Development  
Division

**Italy's references**  
Via Dune, 15 - 30016 Jesolo (VENICE)  
Friuli V.G.: Authorized Service Centers  
Liguria: Authorized Service Centers  
VAT Number IT00419780283

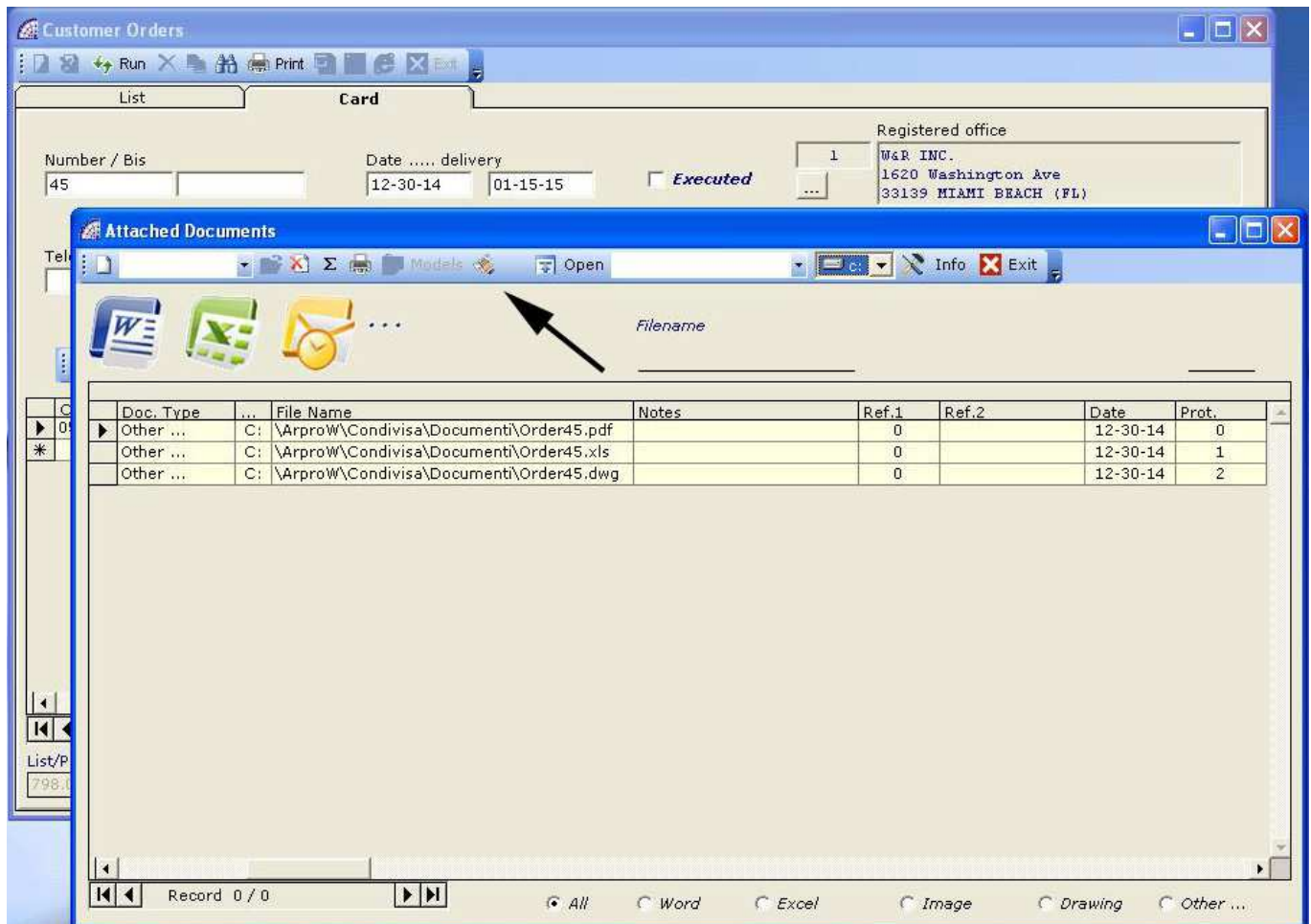
**USA (Florida)**  
2 S Biscayne Boulevard, Suite 1880,  
MIAMI, FL 33131  
[Italy-America Chamber of Commerce  
Southeast]



**Business  
management  
solutions**

Head office: phone +39 041 8770868  
<http://www.arpro-solutions.com> - [sales@arpro-solutions.com](mailto:sales@arpro-solutions.com)  
<http://www.arpro.it> - [commerciale@arpro.it](mailto:commerciale@arpro.it)

Once set-up (you do it just one time), you can open documents directly from the **@/Arpro**. The instrument for document management can be consulted from the selected resource and has some new features:



The “data compiling function” is a plus of great utility that allows automatic filling of fields in the attached document. It works only for Microsoft Word® documents, if they occur within “bookmarks” identified with the same name of the fields in the resources (as for example company name, address, zip code, town, province, telephone, etc.).

Just imagine a “company system” where there's an documental organization prepared in standard models, depending on use: may be associated to the resources and quickly self-compiled, avoiding unnecessary loss of time.

*Solutions greatly simplified for the business management of companies:*

**@/Arpro, ... Treasury, ... Analytical Accounting, ... Production, ... Job Orders, ...**



**N & R**  
*Development  
Division*

**Italy's references**

Via Dune, 15 - 30016 Jesolo (VENICE)  
Friuli V.G.: Authorized Service Centers  
Liguria: Authorized Service Centers  
VAT Number IT00419780283

**USA (Florida)**

2 S Biscayne Boulevard, Suite 1880,  
MIAMI, FL 33131  
[Italy-America Chamber of Commerce  
Southeast]



**Business  
management  
solutions**

---

Head office: phone +39 041 8770868

<http://www.arpro-solutions.com> - [sales@arpro-solutions.com](mailto:sales@arpro-solutions.com)

<http://www.arpro.it> - [commerciale@arpro.it](mailto:commerciale@arpro.it)

We are strengthening the entire system of the documents available on **@/Arpro**, where entering warehouse items or BOMs containing attached files, these last connect directly to destination documents.

The sales department as well as the technician can then make use of common standards documentation to the various departments.

We remain at your disposal for any need, on this occasion we send you our best regards.

**N & R**  
sales division

---

*Solutions greatly simplified for the business management of companies:*

**@/Arpro, ... Treasury, ... Analytical Accounting, ... Production, ... Job Orders, ...**